



SAFETY RULES



Connect only in accordance with the diagram presented in the manual. Improper connections may be dangerous, it can damage the controller, and loss of the warranty.



DANGER! Risk of electric shock! Even with the device turned off, the outputs may be live. All assembly work should be ALWAYS performed with the disconnected power circuit.



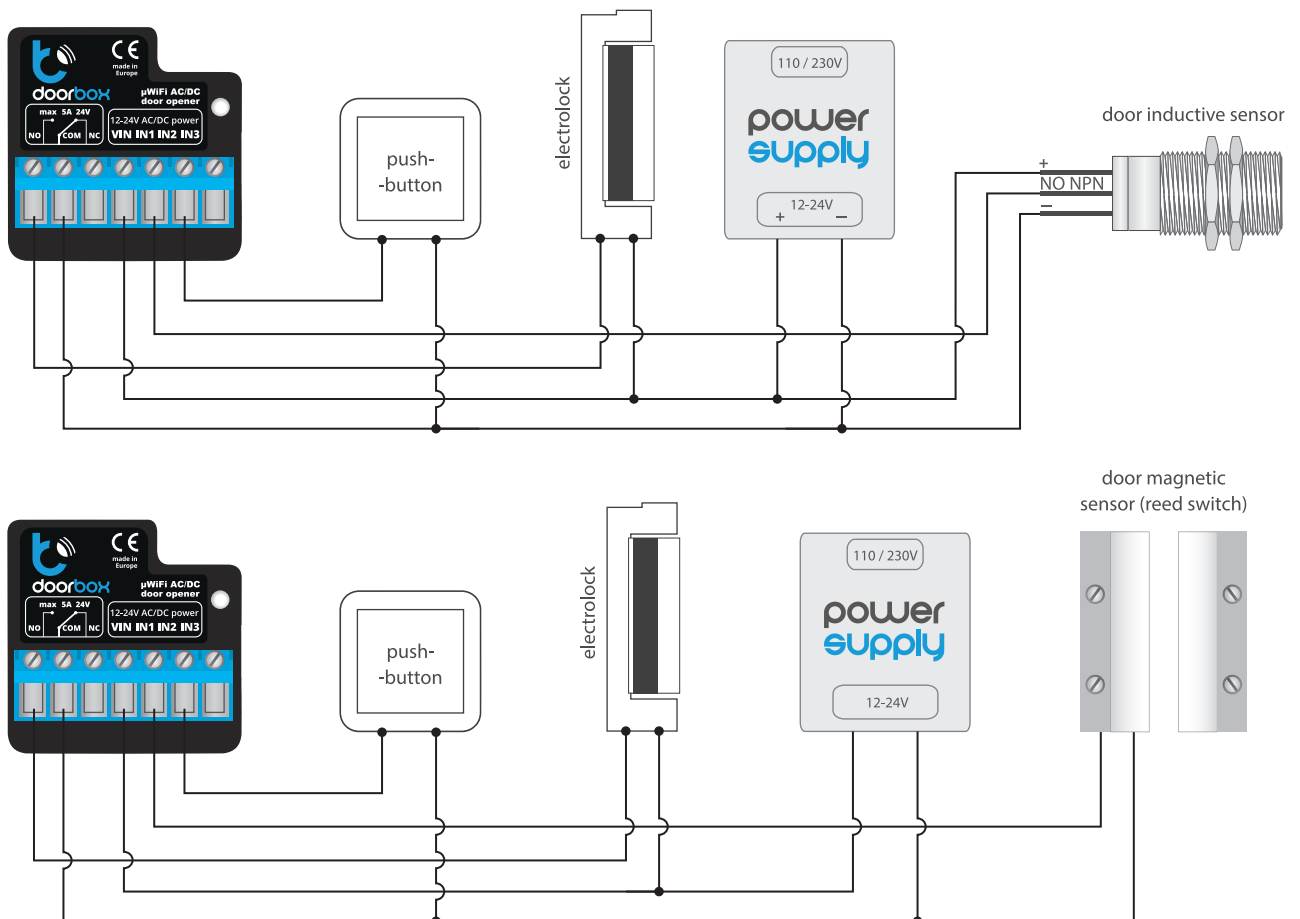
Connecting the device to a power supply that does not meet the quality requirements specified in EN 50081-1, EN 50082-1, UL508, EN 60950 will invalidate the warranty.

1

INSTALLATION - BASICS

- Disconnect the installation supply voltage before installing the controller. Remember that any mounting works should be carried out when the mains voltage is disconnected (switch off the mains fuse or disconnect the power cord from the mains socket).
- The controller should be installed in a place protected against adverse environmental conditions, protected from third party access - in the flush box or inside the enclosure of the controlled device. Remember that metallic elements (wires, housing parts) have a negative influence on the range of the device, and consequently the comfort of use. It is recommended that the device be mounted in a stable and fixed position.
- Read the diagram and then proceed to install the controller. Pay particular attention to the designation of the controller connectors. Start by connecting the + 12V / + 24V power wires (red or black with a white dotted line) to VIN and ground (black) to COM.

CONNECTION DIAGRAM



- Connect the electric bolt lock / electromagnetic lock circuit between the VIN and the NO or the NC output - note that the internal relay short NO / NC output to COM. Usually electric strikes used in pedestrian doors should be connected between VIN and NO while electromagnetic locks should be connected between VIN and NC. The NO output is a normally open output which means it does not conduct in rest state while the NC output is a normally closed output which means that the pair of contacts is in shorten in rest state, it opens when the user presses the control button.
- It is possible to receive a feedback from the controller indicating the door in the positions "closed" or "intermediate position". To do this, connect the circuit of the electromechanical limit switch between the input IN1 and COM of the controller. The polarization of the limit switch inputs does not matter. It is possible to connect also a digital inductive proximity sensor - this sensor must be powered by the input VIN and COM and the output of the sensor should be connected to the input IN1.
- To open the door with the optional monostable switch (push-button), connect the switch circuit between the IN2 and COM inputs of the controller. This kind of switch is usually used as a exit button from a building or property.
- The IN3 input has been designed to allow the extension of product application capabilities and currently is not used.
- After making sure that the device is connected in accordance with the diagram and that there are no metal components near the controller which may accidentally cause short-circuit, start the device by turning on the power (turning on the mains fuse or connecting the power cord to the power outlet).

2

FIRST START

- Download the **free wBox application**. If you have an Android mobile device, you will find the application in the Play Store. For iOS devices the application is in the App Store.
- By using your mobile phone or tablet, connect it to the device wireless network. To do this, enter to your smartphone or tablet settings, then go to setting of the WiFi network and find the network name "doorBox-xxxxxxxx" where xxxxxxxx is the serial number of the device. Connect to this network.
- Turn on the wBox application. A device will appear at the top of the screen. To add it to the application, click on "+" on the right side of the name. To pre-configure the controller, click on the default device name.



You can also set the configuration using the web browser of your phone / tablet. After connecting to the wireless network of the controller, turn on the browser and go website www.blebox.eu

- Test the work of the controller by clicking the door icon - the connected electric lock should activate and the door open.
- If a wall push-button has been connected, check its operation. By pressing the button, the electric lock should work.
- If a door position sensor (eg a reed switch or an inductive sensor) has been connected, check the opening / closing status of the door. If the controller incorrectly shows the position, change the detecting method of the limit switches. To do this, go to setting ("Settings" icon at the top-right corner of the screen) and then in the option "Detection method of limit switch" choose

another method. Remember to save the setting by clicking on the "Save" button, then go to the main panel by clicking on the arrow in the top-left corner, check again if the status of the door is displayed as expected.

- Go to "Settings" (icon at the top-right corner of the screen). In the "Gate settings" section, in the field "Address (URL) of the MJPEG stream" you can enter the URL stream of the camera IP which supervise the motor.
- In case you need to make changes in the advanced controller settings, click on "Show advanced" button. Will appear additional options.
- In the "Gate output type" field, the output behavior can be changed between the normally open output (NO - when the output is not shorten) or normally closed (NC - in other words at rest state pair of contacts is shorten, opens when the user press the control button). It is also possible to adjust the duration of the impulse in the output - between 0.1 sec. to 15 seconds - after a single press of the control button.

3

ACCESS POINT AND WIFI NETWORK SETTINGS

- Once you turn on the controller for the first time, you can proceed to its further configuration. Being connected to the WiFi network emitted by the device, in the control panel of the wBox application select the device, then go to "Settings" (icon at the top-right corner of the screen).
- You can change the name of the device that is displayed in the wBox application. In addition, you can change the name and password of its generated WiFi network. Remember that changing the network name or password will disconnect the device immediately after you click the "Save" button, so re-connect to the device using the newly assigned network name and password.
- You can add the controller to your home WiFi network to control it through this home network or from anywhere in the World. To do this, in the "Connect" settings section, select a network name from the list and press "Connect". If is required, enter the WiFi network password. During the connection of the controller to your home network, the phone / tablet may disconnected from the network. In this case, you will need to reconnect your phone / tablet to the controller network.
- Please remember that in order to control the device outside the local WiFi network, from anyplace in the World by using the wBox application, the option "Remote access enabled" in the controller settings must be set to "Yes".
- Once you've finished configuring the WiFi network, you can disconnect your phone/tablet from the controller network and connect your mobile device directly to your home WiFi network. The control from the wBox application will work the same way as when the phone / tablet is connected to the controller network. If the user leaves the local network, for example, leaving home or using the mobile data, the wBox application will signal this state as "Remote mode". In this case, the devices can be controlled, but for security reasons settings are not available.

4

ACCESS MANAGEMENT

- Return to the controller settings. In the "Access management" section, you can also create accounts for the gate users. This provides additional protection for access to the controller. If you create users, the option of adding a controller to the wBox application and its control will be available only after entering the correct login and password.
- To add a new user, in the "Access management" section, press the "Add" button and then fill in the new window the "User name" and "Password" fields and press the "Save" button. If at least one user account is added, the controller will require logging each time the controller is added to the wBox application. Only after logging in the controller, it will be possible to control the motor.



TECHNICAL SPECIFICATIONS	
supply voltage	12-24V AC / DC
energy consumption	< 1 W
number of outputs	1
output type	relay NC/NO
maximum load	6A 24V AC 6A 24V DC
number of inputs	3
inputs type	logical, pushbutton short circuited to COM
voltage range	12 - 24V AC / DC
galvanic isolation	yes
housing	made of polyurethane composition not containing halogens, self-extinguishing for thermal class B (130 °C)
protection level	IP20
dimensions	39 x 39 x 22 mm
transmission type	bi-directional, encrypted
radio frequency	2.4 GHz
communication standard	µWiFi, compatible with WiFi, 802.11g
mode	direct connection (as Access Point), Wi-Fi connection via a standard router, connection with access from any location in the world (requires only access to the Internet)

compatible devices and systems	Apple iPhone, Apple iPad, iPad Mini, Android, computers and mobile devices supporting HTML5
controller operating temperature	from -20 to + 50°C

ADDITIONAL INFORMATION

SOFTWARE UPDATE

To update the software in the controller, connect it to your home WiFi network (see "Access Point and WiFi Network Settings" section) which is connected to the Internet. Go to "Settings" (icon at the top-right corner of the screen) and click the "Get new firmware" button in the final section on settings. Wait about 1 minute, do not close the interface and don't perform other actions. The device will download the latest software. The software version number, hardware version and device identifier can be read at the bottom of the settings screen.

for more information
visit our website

www.blebox.eu

or send us an email to: info@blebox.eu
support is available at support@blebox.eu

made in europe



proudly made by
blebox